

END SUPPORT & OUTRIGGER FRAMES:
 11 GAUGE X 1 1/2" STEEL TUBE
 SEAT AND TOP SUPPORTS
 1 3/4" X 1 3/4" X 3/16" STEEL ANGLE
 LEG TIE SUPPORT
 1 1/2" X 1 1/2" X 1/8" STEEL ANGLE
 DIAGONAL BRACES
 14 GAUGE X 1 1/4" GALVANIZED STEEL TUBE
 HARDWARE:
 GALVANIZED STEEL
 FRAMES FINISH:
 HOT DIPPED GALVANIZED AFTER FABRICATION
 LUMBER, TOP AND SEATS
 SOUTHERN YELLOW PINE, PRESSURE TREATED "C" GRADE

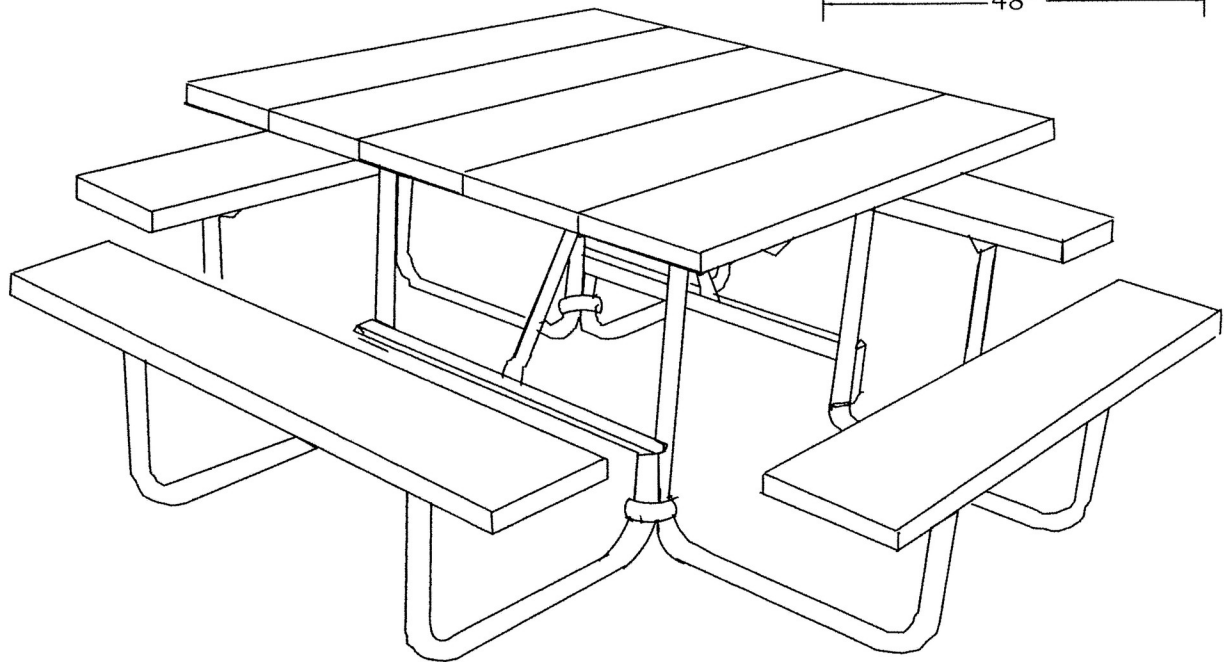
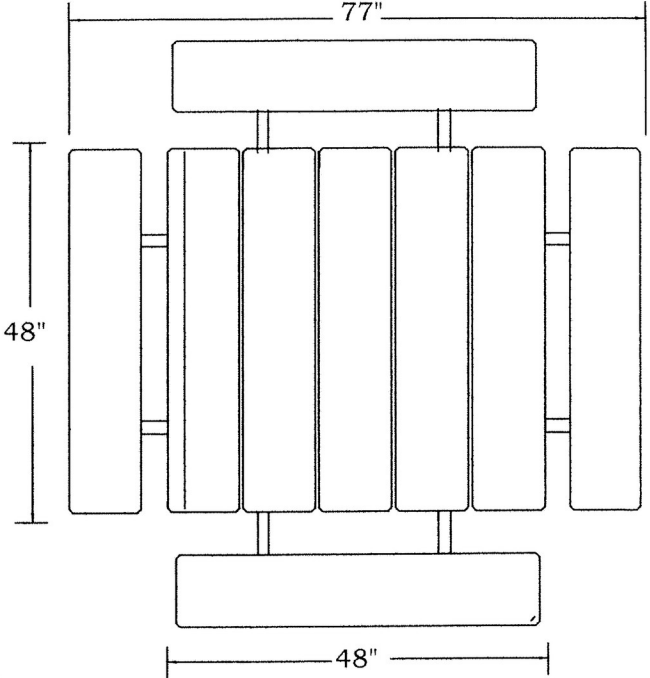
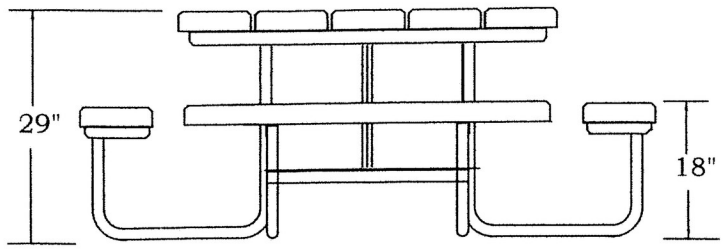
FRAME WEIGHT: 86#
 LUMBER WEIGHT: 120#

SCALE:	NONE
DATE DRAWN:	10-20-11
DRAWN BY:	CHG
DATE REVISED:	
REVISED BY:	CHG

APPROVED BY: _____
 DATE: _____

SQUARE PICNIC TABLE
 SPECIFICATION SHEET

MODEL 11SQ-PT4-HG
 PRESSURE TREATED WOOD

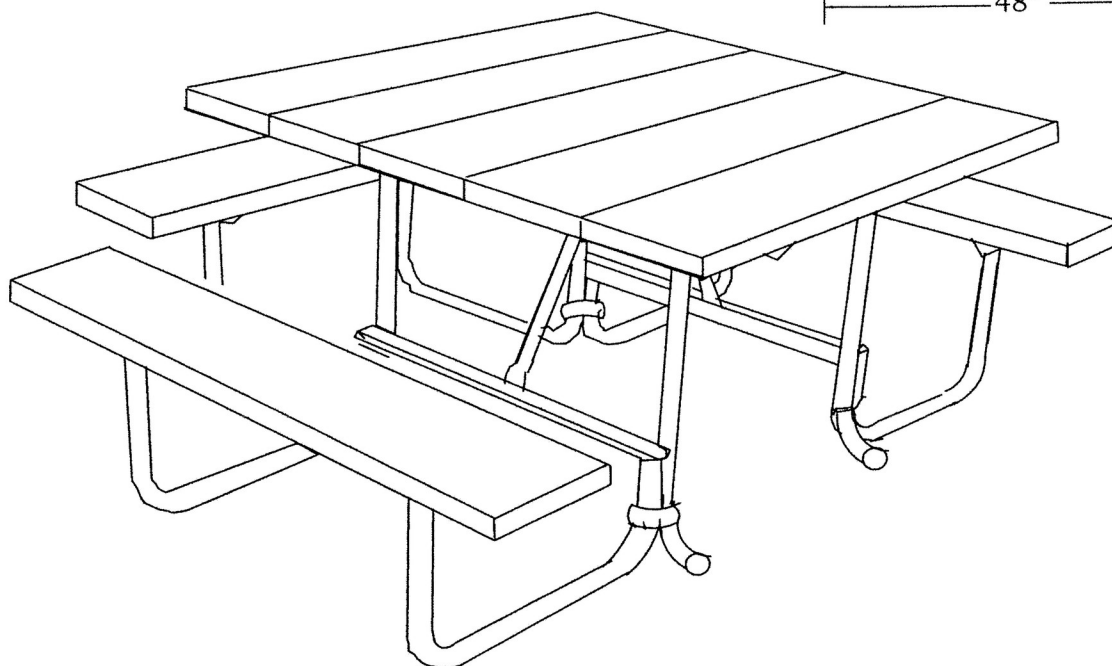
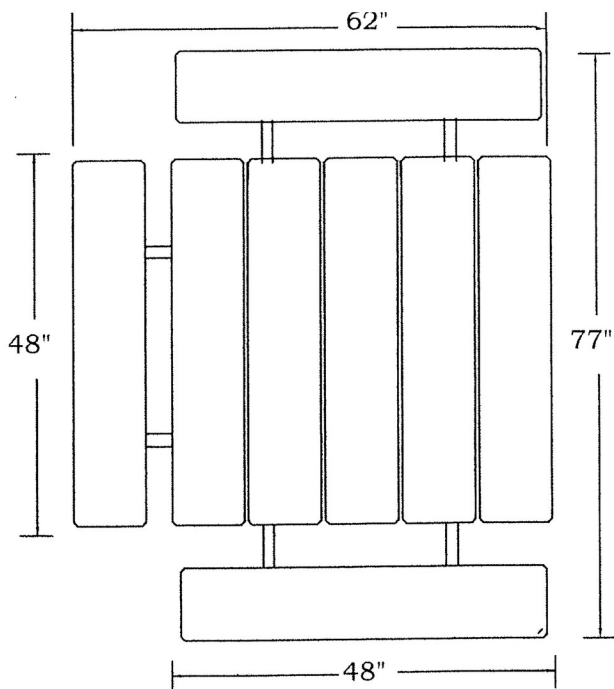
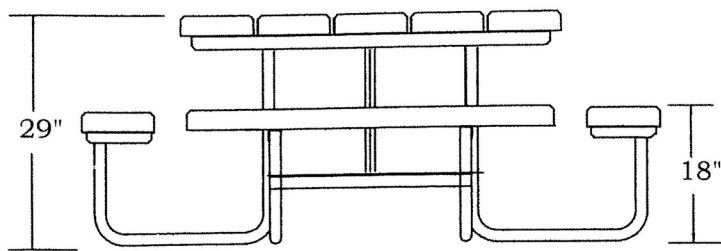


END SUPPORT & OUTRIGGER FRAMES:
 11 GAUGE X 1 1/2" STEEL TUBE
SEAT AND TOP SUPPORTS
 1 3/4" X 1 3/4" X 3/16" STEEL ANGLE
LEG TIE SUPPORT
 1 1/2" X 1 1/2" X 1/8" STEEL ANGLE
DIAGONAL BRACES
 14 GAUGE X 1 1/4" STEEL TUBE
HARDWARE:
 STAINLESS STEEL
FRAMES, CHANNEL & BRACE FINISH:
 PAINTED OR HOT DIPPED GALVANIZED
FRAME WEIGHT: 86#
RECYCLED PLASTIC WEIGHT: 153#

SCALE:	NONE
DATE DRAWN:	3--1-09
DRAWN BY:	CHG
DATE REVISED:	
REVISED BY:	

APPROVED BY: _____
DATE: _____

11 GAUGE SQUARE PICNIC TABLE SPECIFICATION SHEET
RECYCLED PLASTIC TOP & SEATS



END SUPPORT & OUTRIGGER FRAMES:
 11 GAUGE X 1 1/2" STEEL TUBE
SEAT AND TOP SUPPORTS
 1 3/4" X 1 3/4" X 3/16" STEEL ANGLE
LEG TIE SUPPORT
 1 1/2" X 1 1/2" X 1/8" STEEL ANGLE
DIAGONAL BRACES
 14 GAUGE X 1 1/4" STEEL TUBE
HARDWARE:
 STAINLESS STEEL
FRAMES, CHANNEL & BRACE FINISH:
 PAINTED OR HOT DIPPED GALVANIZED
TOP AND SEATS
 2" X 10" X 48" RECYCLED PLASTIC
FRAME WEIGHT: 75#
PLASTIC WEIGHT: 136#

SCALE:	NONE	APPROVED BY: _____	11 GAUGE SQUARE PICNIC TABLE SPECIFICATION SHEET
DATE DRAWN:	3-1-09		
DRAWN BY:	CHG	DATE: _____	WHEELCHAIR ACCESSIBLE RECYCLED PLASTIC TOP & SEATS
DATE REVISED:			
REVISED BY:			