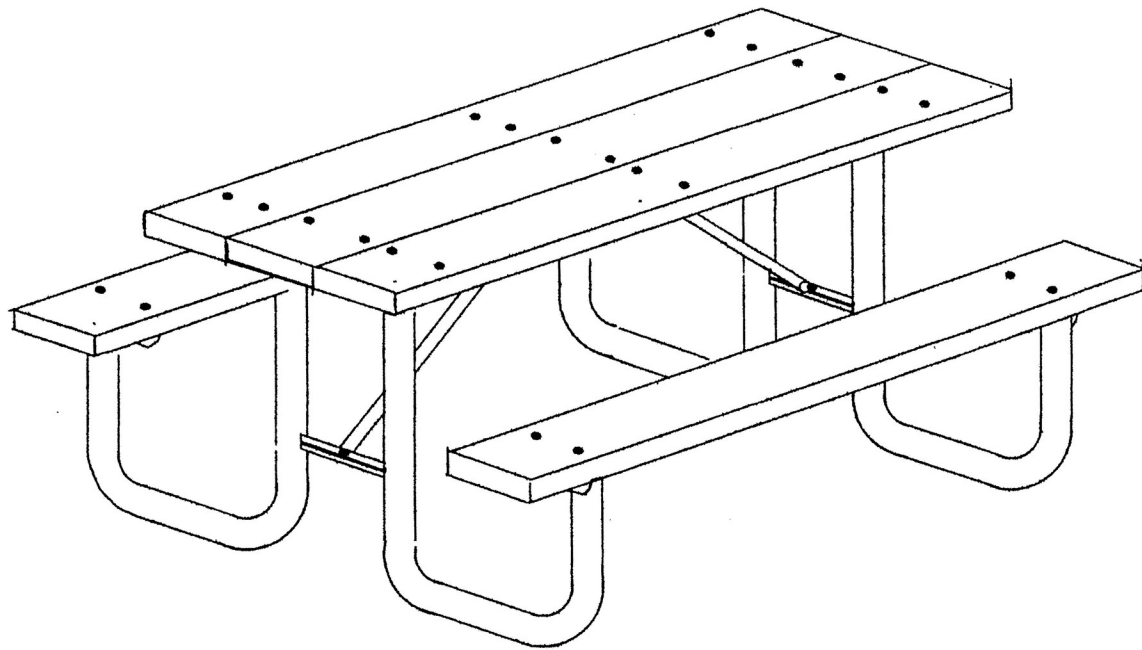
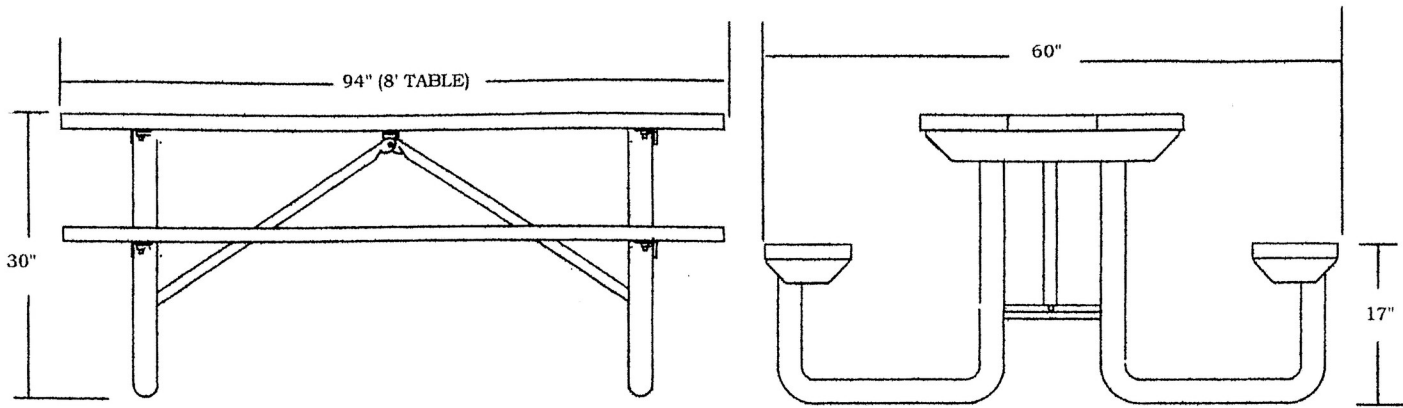


END SUPPORT FRAMES:
 2 3/8" OD SCHEDULE 40 PIPE
SEAT AND TOP SUPPORTS
 3" X 3" X 3/16" STEEL ANGLE
LEG TIE SUPPORT
 1" X 1" X 1/8" STEEL ANGLE
DIAGONAL BRACE
 14 GAUGE X 1 1/4" O.D. STEEL TUBE
SUPPORT TUBES
 14 GAUGE X 1 1/4" O.D. GALVANIZED STEEL TUBE
HARDWARE:
 STAINLESS STEEL
 FRAME, CHANNEL, BRACE FINISH
 PAINTED OR HOT DIPPED GALVANIZED
PLANKS: HIGH-DENSITY POLYETHYLENE MATERIAL
 DERIVED FROM POST CONSUMER BOTTLES.

SCALE:	NONE
DATE DRAWN:	2-28-08
DRAWN BY:	CHG
DATE REVISED:	
REVISED BY:	

GERBER MFG., LTD. 
 2917 LATHAM DRIVE - MAIDSON, WI 53713
1-800-393-9923

PICNIC TABLE
 SPECIFICATIONS
238 SERIES
 5, 6' 7' & 8' RECYCLED PLASTIC

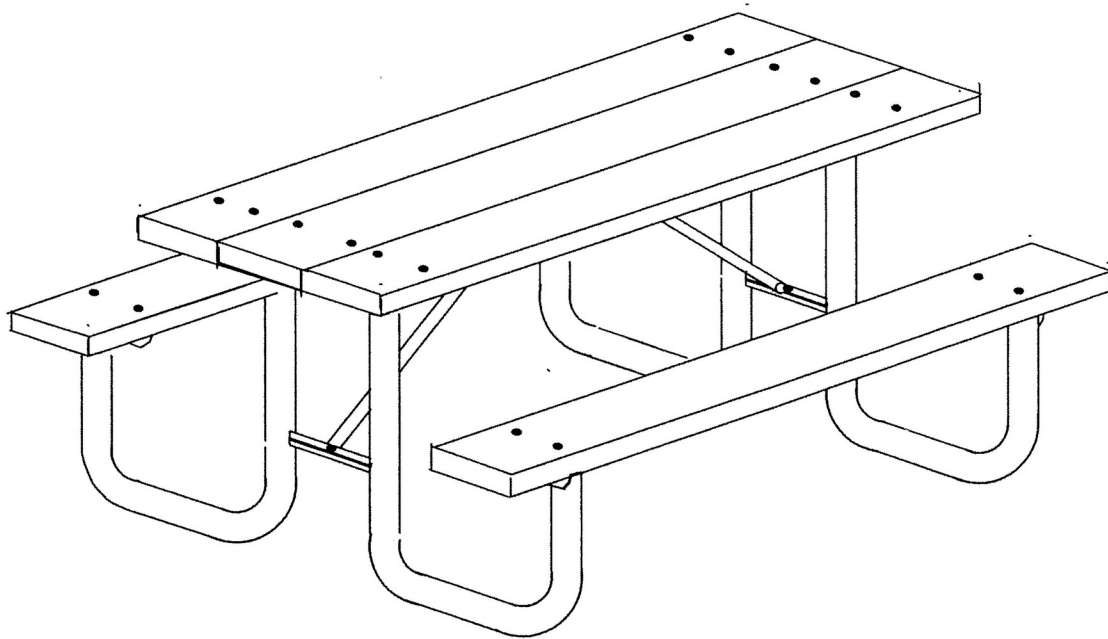
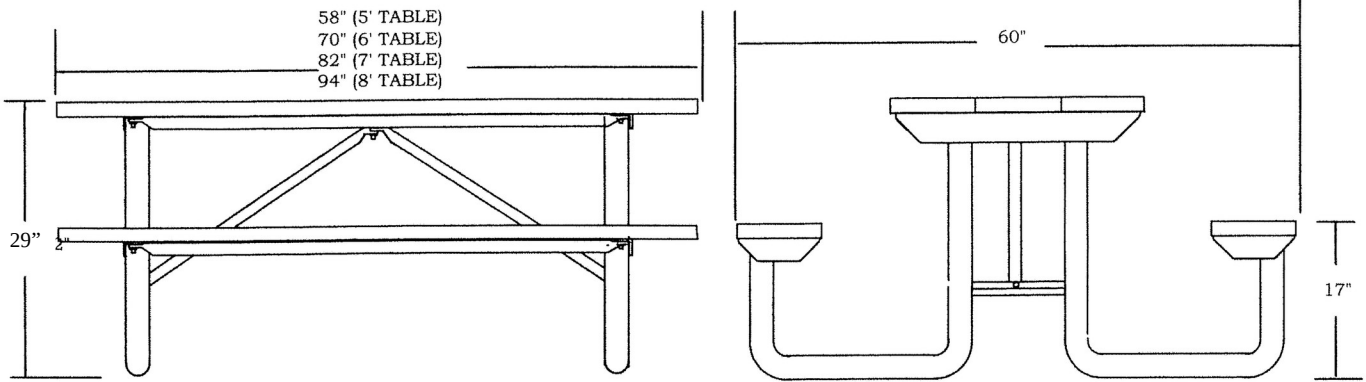


END SUPPORT FRAMES:
 2 3/8" OD SCHEDULE 40 PIPE
SEAT AND TOP SUPPORTS:
 3" X 3" X 3/16" STEEL ANGLE
LEG TIE SUPPORT:
 1" X 1" X 1/8" STEEL ANGLE
DIAGONAL BRACE
 14 GAUGE X 1 1/4" O.D. STEEL TUBE
HARDWARE :
 3/8" STAINLESS STEEL
FRAME, CHANNEL, BRACE FINISH
 PAINTED BLACK
LUMBER, 2 X 10 X 8', PRE DRILLED, ROUNDED ENDS
 ACQ GRADE "C" SOUTHERN YELLOW PINE

SCALE:	NONE
DATE DRAWN:	3-28-09
DRAWN BY:	CHG
DATE REVISED:	
REVISED BY:	

GERBER MFG., LTD. 
 2917 LATHAM DRIVE - MAIDSON, WI 53713
1-800-393-9923

PICNIC TABLE
 SPECIFICATIONS
238-30 SERIES
 8' TABLE

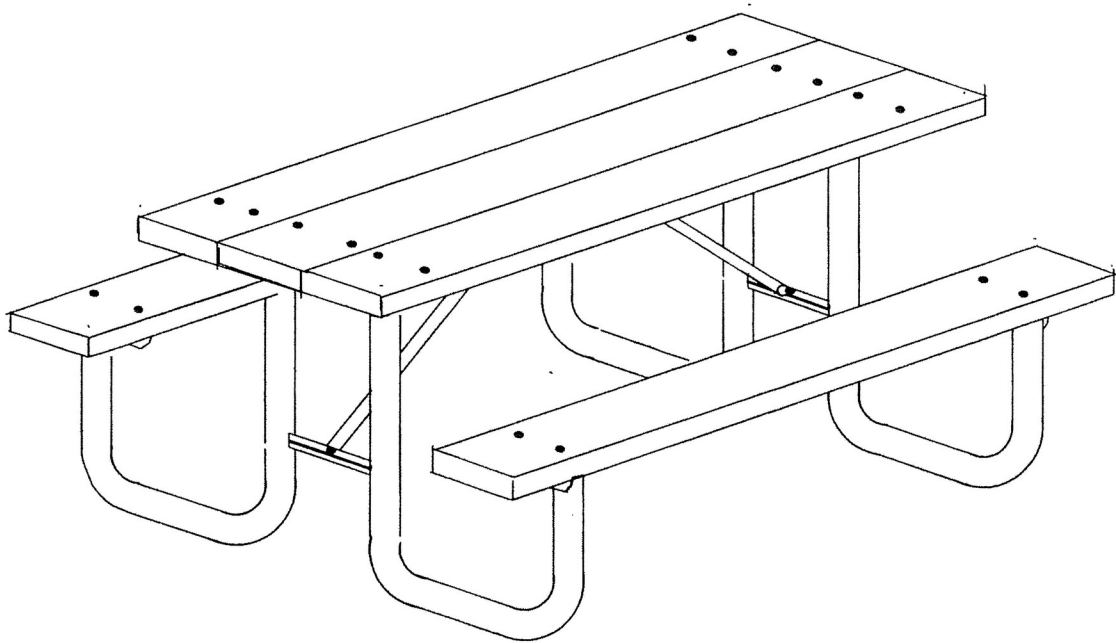
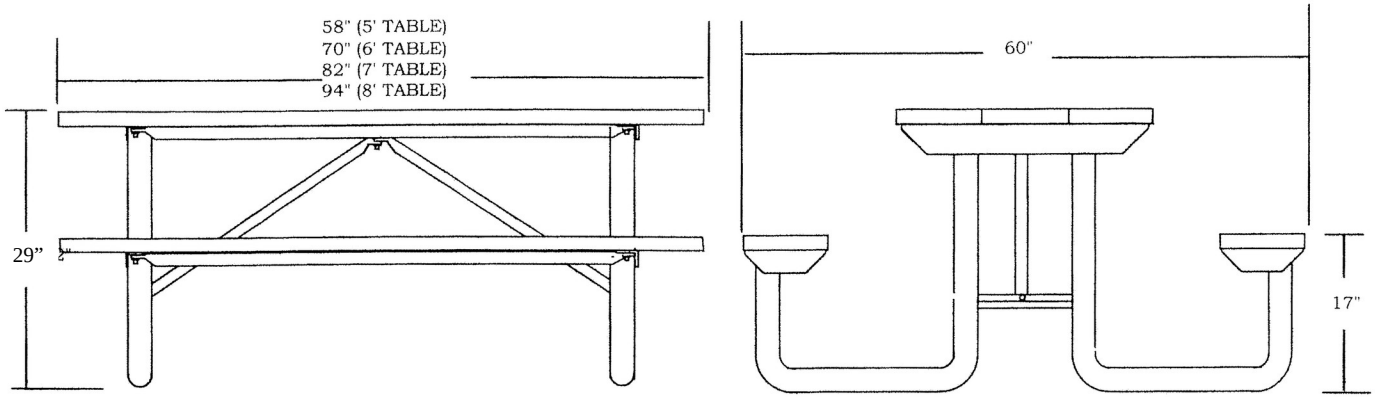


END SUPPORT FRAMES:
2 3/8" OD SCHEDULE 40 PIPE
SEAT AND TOP SUPPORTS
3" X 3" X 3/16" STEEL ANGLE
LEG TIE SUPPORT
1" X 1" X 1/8" STEEL ANGLE
DIAGONAL BRACE
14 GAUGE X 1 1/4" O.D. STEEL TUBE
SUPPORT TUBES
14 GAUGE X 1 1/4" O.D. GALVANIZED STEEL TUBE
HARDWARE:
STAINLESS STEEL
FRAME, CHANNEL, BRACE FINISH
PAINTED OR HOT DIPPED GALVANIZED
PLANKS: HIGH-DENSITY POLYETHYLENE MATERIAL
DERIVED FROM POST CONSUMER BOTTLES.

SCALE:	NONE
DATE DRAWN:	2-28-08
DRAWN BY:	CHG
DATE REVISED:	
REVISED BY:	


GERBER MFG., LTD. 
2917 LATHAM DRIVE - MAIDSON, WI 53713
1-800-393-9923

PICNIC TABLE
SPECIFICATIONS
238 SERIES
5, 6' 7' & 8' RECYCLED PLASTIC



END SUPPORT FRAMES:
 2 3/8" OD SCHEDULE 40 PIPE
 SEAT AND TOP SUPPORTS
 3" X 3" X 3/16" STEEL ANGLE
 LEG TIE SUPPORT
 1" X 1" X 1/8" STEEL ANGLE
 DIAGONAL BRACE
 14 GAUGE X 1 1/4" O.D. STEEL TUBE
 SUPPORT TUBES
 14 GAUGE X 1 1/4" O.D. GALVANIZED STEEL TUBE
 HARDWARE:
 STAINLESS STEEL
 FRAME, CHANNEL, BRACE FINISH
 PAINTED OR HOT DIPPED GALVANIZED
 PLANKS: HIGH-DENSITY POLYETHYLENE MATERIAL
 DERIVED FROM POST CONSUMER BOTTLES.

SCALE:	NONE
DATE DRAWN:	2-28-08
DRAWN BY:	CHG
DATE REVISED:	
REVISED BY:	

GERBER MFG., LTD. 
 2917 LATHAM DRIVE - MAIDSON, WI 53713
1-800-393-9923

PICNIC TABLE
 SPECIFICATIONS
238 SERIES
 5, 6' 7' & 8' RECYCLED PLASTIC