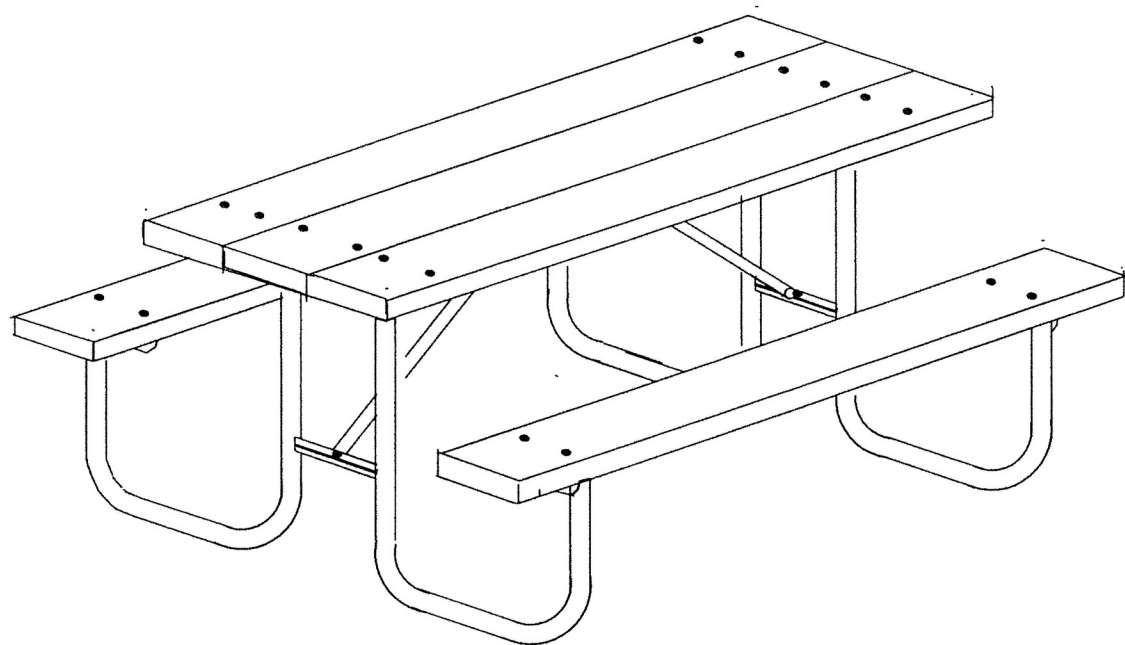
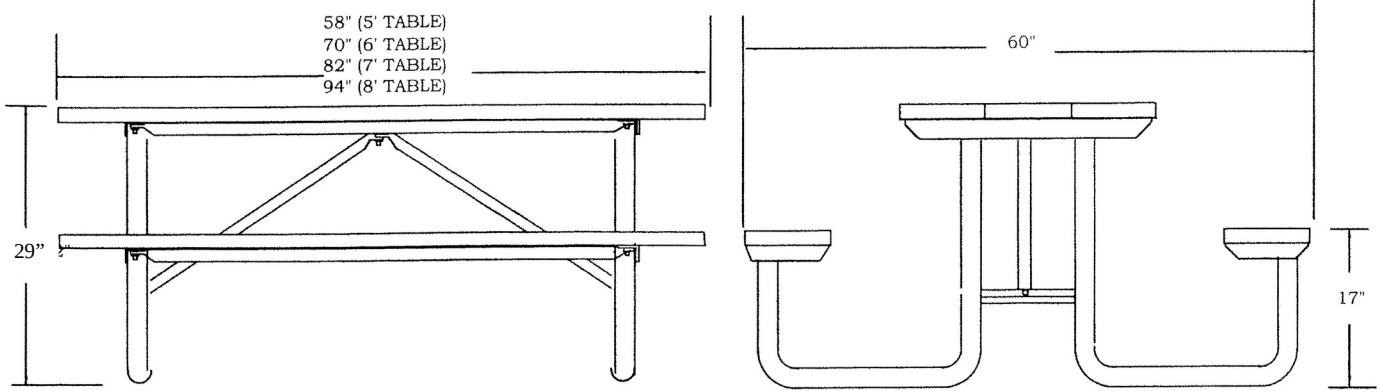


END SUPPORT FRAMES:
 1 5/8" OD SCHEDULE 40 PIPE
 SEAT AND TOP SUPPORTS :
 2" X 2" X 3/16" STEEL ANGLE
 LEG TIE SUPPORT :
 1" X 1" X 1/8" STEEL ANGLE
 DIAGONAL BRACE
 14 GAUGE X 1 1/4" O.D. STEEL TUBE
 CENTER CHANNEL :
 1" X 1/2" STEEL CHANNEL
 HARDWARE :
 GALVANIZED OR STAINLESS STEEL
 FRAME, CHANNEL, BRACE FINISH :
 PAINTED OR HOT DIPPED GALVANIZED

SCALE:	NONE
DATE DRAWN:	11-08-05
DRAWN BY:	CHG
DATE REVISED:	4-21-06
REVISED BY:	CHG

GERBER MFG., LTD. 
 2917 LATHAM DRIVE - MAIDSON, WI 53713
1-800-393-9923

PICNIC TABLE SPECIFICATIONS
 158 SERIES FRAME FOR
 5', 6' AND 8' LUMBER



END SUPPORT FRAMES:
1 5/8" OD SCHEDULE 40 PIPE
SEAT AND TOP SUPPORTS
2" X 2" X 3/16" STEEL ANGLE
LEG TIE SUPPORT
1" X 1" X 1/8" STEEL ANGLE
DIAGONAL BRACE
14 GAUGE X 1 1/4" O.D. STEEL TUBE
SUPPORT TUBES
14 GAUGE X 1 1/4" O.D. GALVANIZED STEEL TUBE
HARDWARE:
STAINLESS STEEL
FRAME, CHANNEL, BRACE FINISH
PAINTED OR HOT DIPPED GALVANIZED
PLANKS: HIGH-DENSITY POLYETHYLENE MATERIAL
DERIVED FROM POST CONSUMER BOTTLES.

SCALE:	NONE
DATE DRAWN:	9-24-08
DRAWN BY:	CHG
DATE REVISED:	
REVISED BY:	

GERBER MFG., LTD. 
2917 LATHAM DRIVE - MAIDSON, WI 53713
1-800-393-9923

PICNIC TABLE
SPECIFICATIONS
158-PL SERIES
5, 6' 7' & 8' RECYCLED PLASTIC