
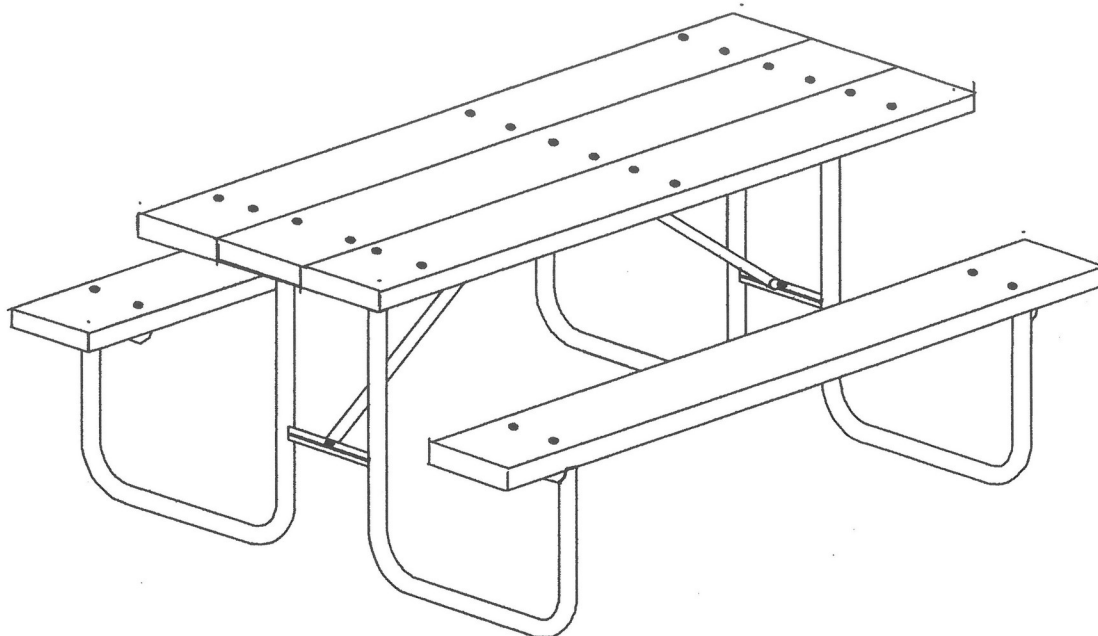
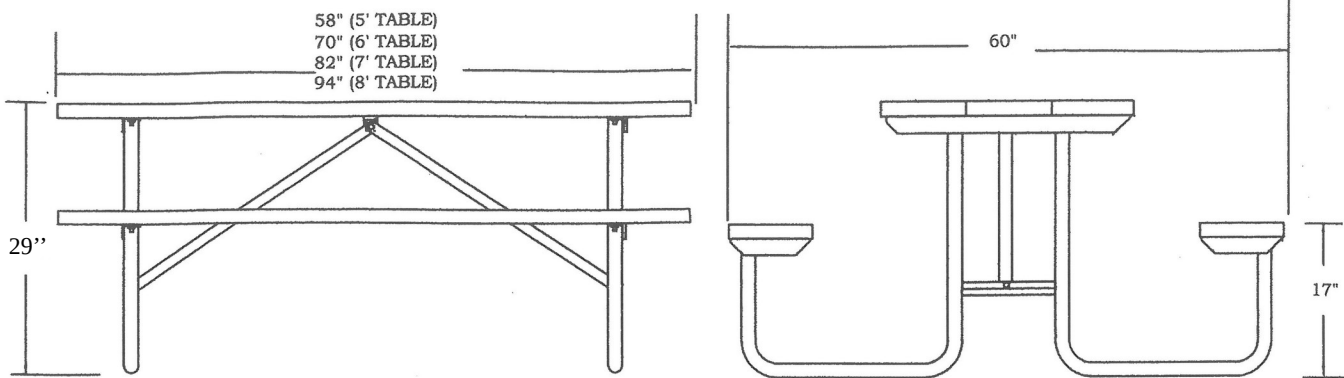


END SUPPORT FRAMES:
 1 1/2" OD 11 GAUGE STEEL TUBING
SEAT AND TOP SUPPORTS:
 1 3/4" X 1 3/4" X 3/16 STEEL ANGLE
LEG TIE SUPPORT:
 1" X 1" X 1/8" STEEL ANGLE
DIAGONAL BRACE
 16 GAUGE X 1 1/4" O.D. STEEL TUBE
CENTER CHANNEL:
 1" X 1/2" STEEL CHANNEL
HARDWARE:
 GALVANIZED
FRAME, CHANNEL, BRACE FINISH:
 PAINTED OR HOT DIPPED GALVANIZED
SEATS AND TOP:
 2 X 10 X .078" SILVER ANODIZED ALUMINUM
BOLT CLIPS:
 MILL FINISH ALUMINUM
END CAPS:
 EXTRUDED SILVER ANODIZED ALUMINUM

SCALE:	NONE
DATE DRAWN:	3-18-08
DRAWN BY:	CHG
DATE REVISED:	
REVISED BY:	

GERBER MFG., LTD. 
 2917 LATHAM DRIVE - MAIDSON, WI 53713
1-800-393-9923

PICNIC TABLE SPECIFICATIONS
11S SERIES
 5', 6' AND 8' ALUMINUM

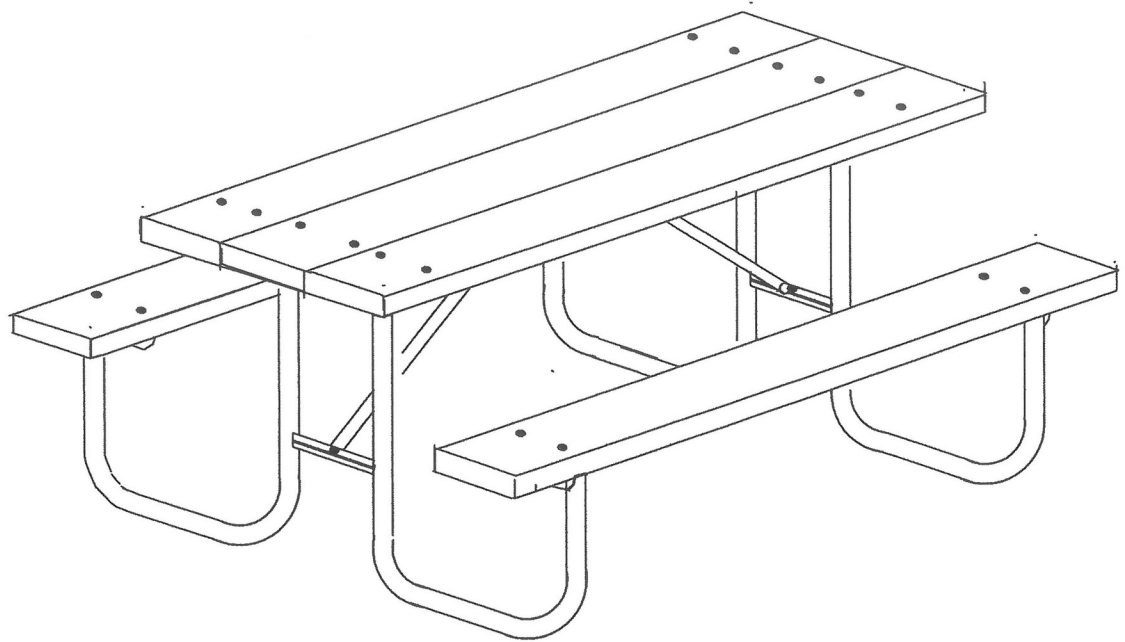
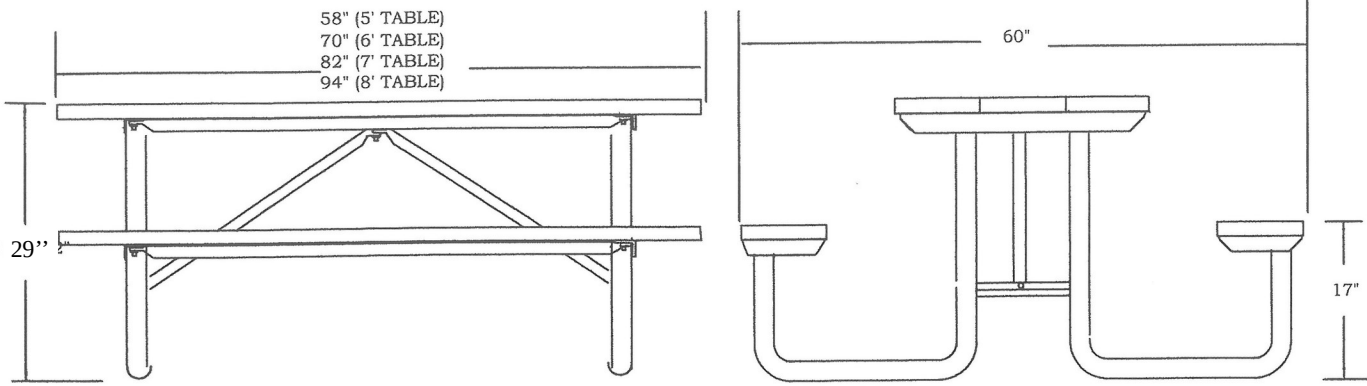


END SUPPORT FRAMES:
1 1/2" OD 11 GAUGE STEEL TUBING
SEAT AND TOP SUPPORTS:
1 3/4" X 1 3/4" X 3/16 STEEL ANGLE
LEG TIE SUPPORT:
1" X 1" X 1/8" STEEL ANGLE
DIAGONAL BRACE
16 GAUGE X 1 1/4" O.D. STEEL TUBE
CENTER CHANNEL:
1" X 1/2" STEEL CHANNEL
HARDWARE:
GALVANIZED
FRAME, CHANNEL, BRACE FINISH:
PAINTED OR HOT DIPPED GALVANIZED

SCALE:	NONE
DATE DRAWN:	3-28-06
DRAWN BY:	CHG
DATE REVISED:	4-20-06
REVISED BY:	CHG

GERBER MFG., LTD. 
2917 LATHAM DRIVE - MAIDSON, WI 53713
1-800-393-9923

PICNIC TABLE SPECIFICATIONS
11S SERIES 5', 6' AND 8' LUMBER

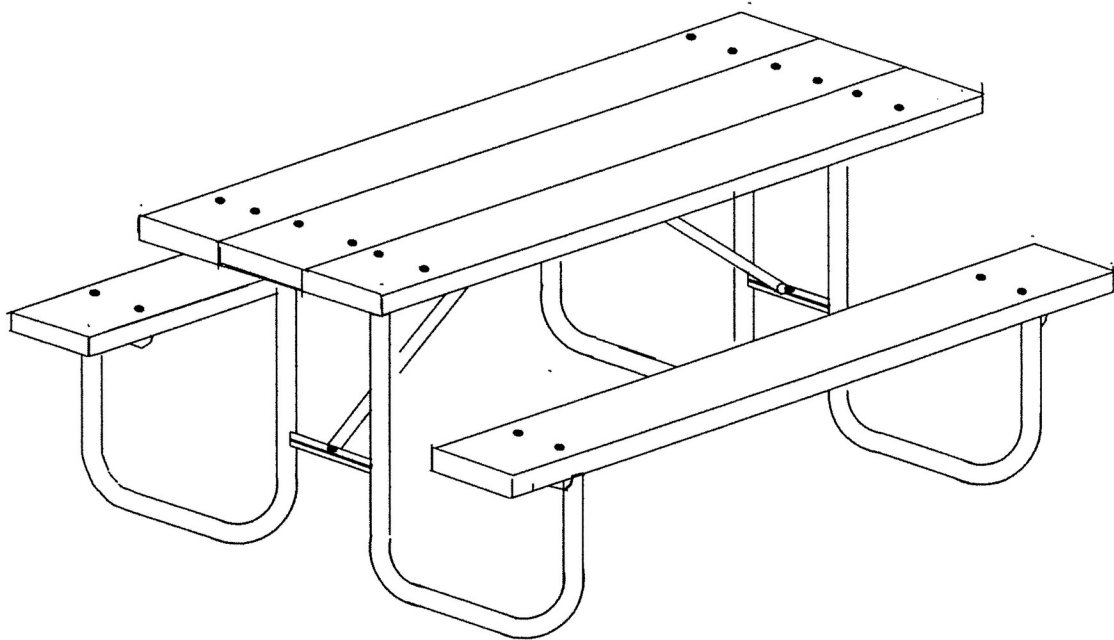
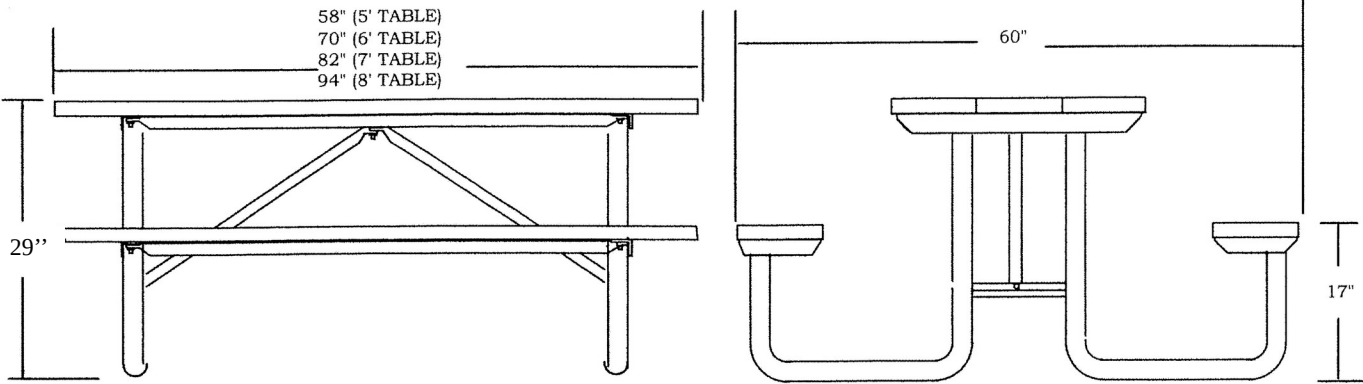


END SUPPORT FRAMES:
 1 1/2" OD 11 GAUGE STEEL TUBING
SEAT AND TOP SUPPORTS
 1 3/4" X 1 3/4" X 3/16" STEEL ANGLE
LEG TIE SUPPORT
 1" X 1" X 1/8" STEEL ANGLE
DIAGONAL BRACE
 16 GAUGE X 1 1/4" O.D. STEEL TUBE
SUPPORT TUBES
 16 GAUGE X 1 1/4" O.D. GALVANIZED STEEL TUBE
HARDWARE:
 STAINLESS STEEL
 FRAME, CHANNEL, BRACE FINISH
 PAINTED OR HOT DIPPED GALVANIZED
PLANKS: HIGH-DENSITY POLYETHYLENE MATERIAL
 DERIVED FROM POST CONSUMER BOTTLES.

SCALE:	NONE
DATE DRAWN:	9-24-08
DRAWN BY:	CHG
DATE REVISED:	
REVISED BY:	

GERBER MFG., LTD. 
 2917 LATHAM DRIVE - MAIDSON, WI 53713
1-800-393-9923

PICNIC TABLE
 SPECIFICATIONS
11S-PL SERIES
 5, 6' 7' & 8' RECYCLED PLASTIC

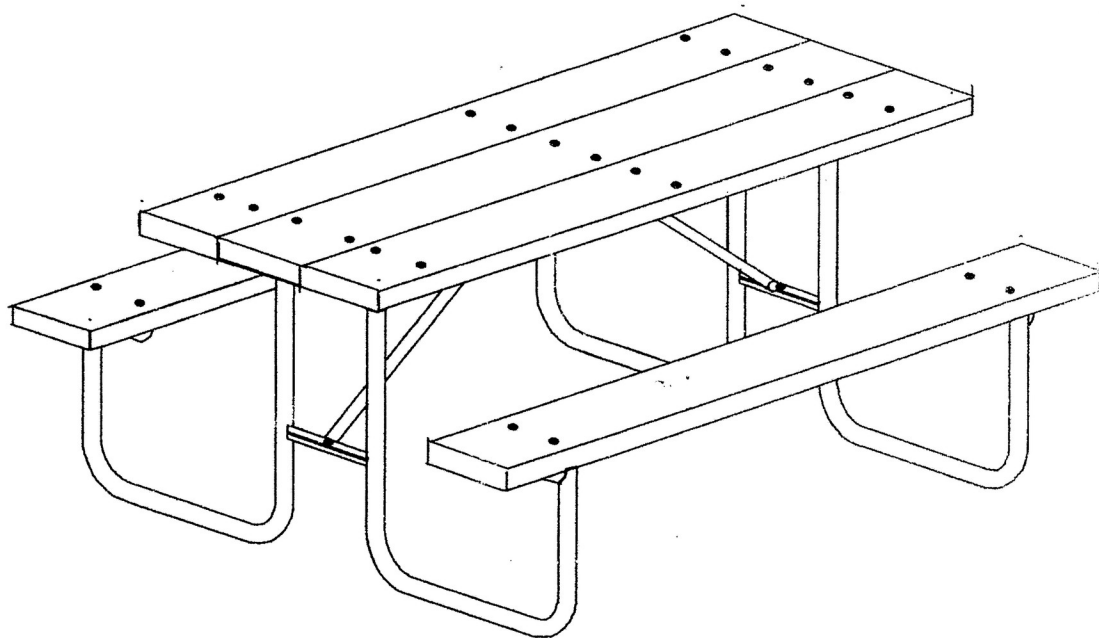
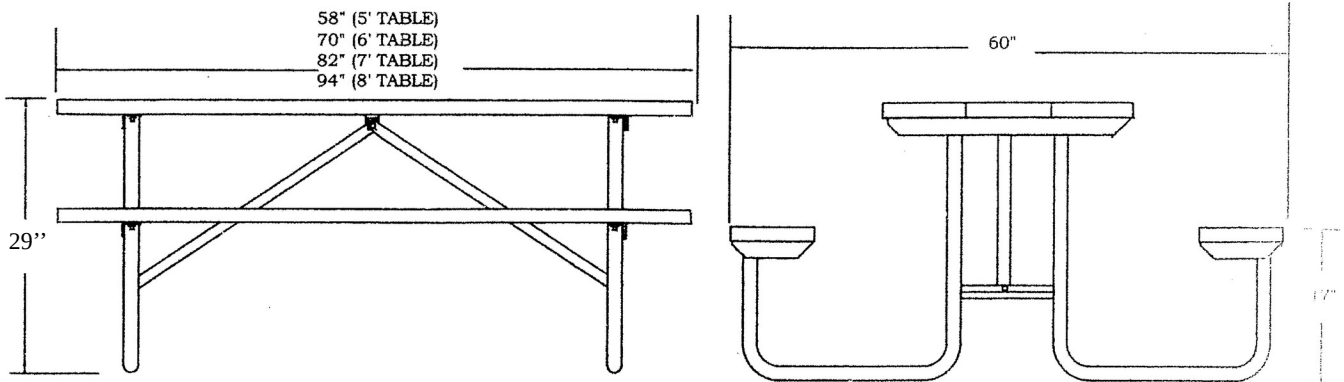


END SUPPORT FRAMES:
 1 1/2" OD 11 GAUGE STEEL TUBING
SEAT AND TOP SUPPORTS
 1 3/4" X 1 3/4" X 3/16" STEEL ANGLE
LEG TIE SUPPORT
 1" X 1" X 1/8" STEEL ANGLE
DIAGONAL BRACE
 16 GAUGE X 1 1/4" O.D. STEEL TUBE
SUPPORT TUBES
 16 GAUGE X 1 1/4" O.D. GALVANIZED STEEL TUBE
HARDWARE:
 STAINLESS STEEL
 FRAME, CHANNEL, BRACE FINISH
 PAINTED OR HOT DIPPED GALVANIZED
PLANKS: HIGH-DENSITY POLYETHYLENE MATERIAL
 DERIVED FROM POST CONSUMER BOTTLES.

SCALE:	NONE
DATE DRAWN:	9-24-08
DRAWN BY:	CHG
DATE REVISED:	
REVISED BY:	

GERBER MFG., LTD. 
 2917 LATHAM DRIVE - MAIDSON, WI 53713
1-800-393-9923

PICNIC TABLE
 SPECIFICATIONS
11S-PL SERIES
 5, 6' 7' & 8' RECYCLED PLASTIC



END SUPPORT FRAMES:
 1 1/2" OD 11 GAUGE STEEL TUBING
SEAT AND TOP SUPPORTS:
 1 3/4" X 1 3/4" X 3/16 STEEL ANGLE
LEG TIE SUPPORT:
 1" X 1" X 1/8" STEEL ANGLE
DIAGONAL BRACE
 16 GAUGE X 1 1/4" O.D. STEEL TUBE
CENTER CHANNEL:
 1" X 1/2" STEEL CHANNEL
HARDWARE:
 GALVANIZED
FRAME, CHANNEL, BRACE FINISH:
 PAINTED OR HOT DIPPED GALVANIZED

SCALE:	NONE
DATE DRAWN:	3-28-06
DRAWN BY:	CHG
DATE REVISED:	4-20-06
REVISED BY:	CHG

GERBER MFG., LTD. 
 2917 LATHAM DRIVE - MAIDSON, WI 53713
1-800-393-9923

PICNIC TABLE SPECIFICATIONS
11S SERIES
 5', 6' AND 8' LUMBER