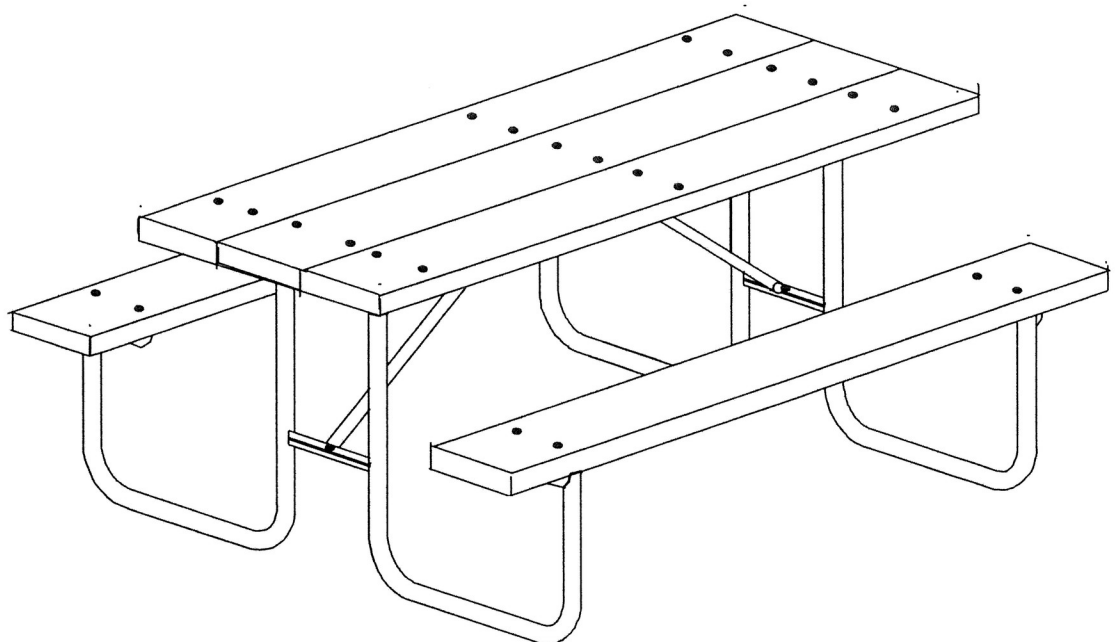
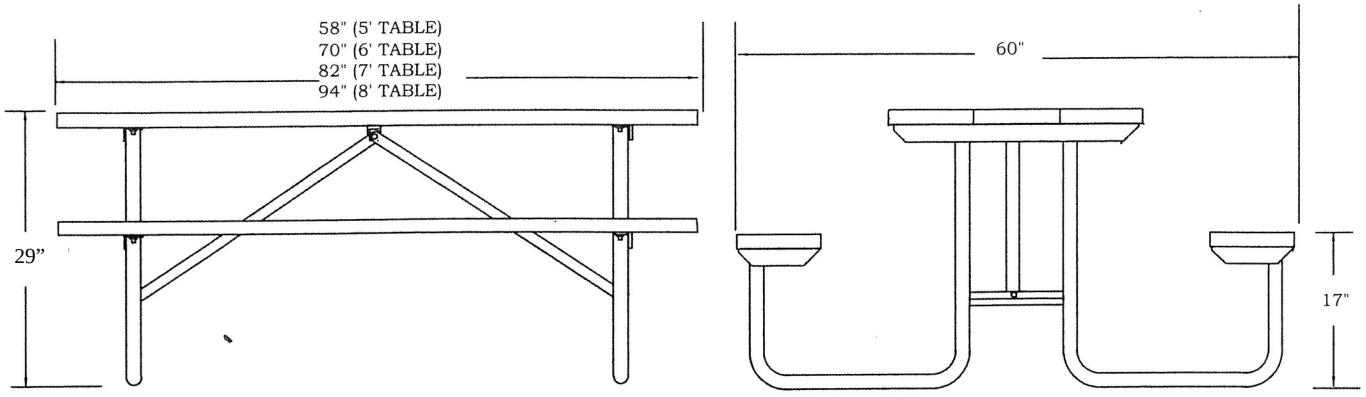


t

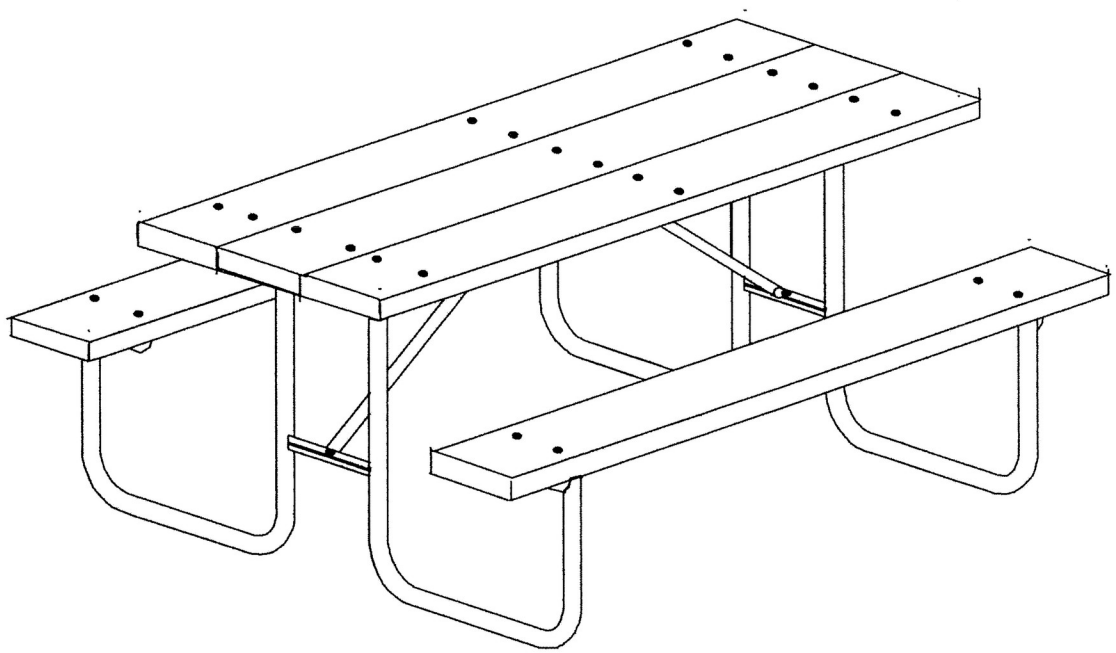
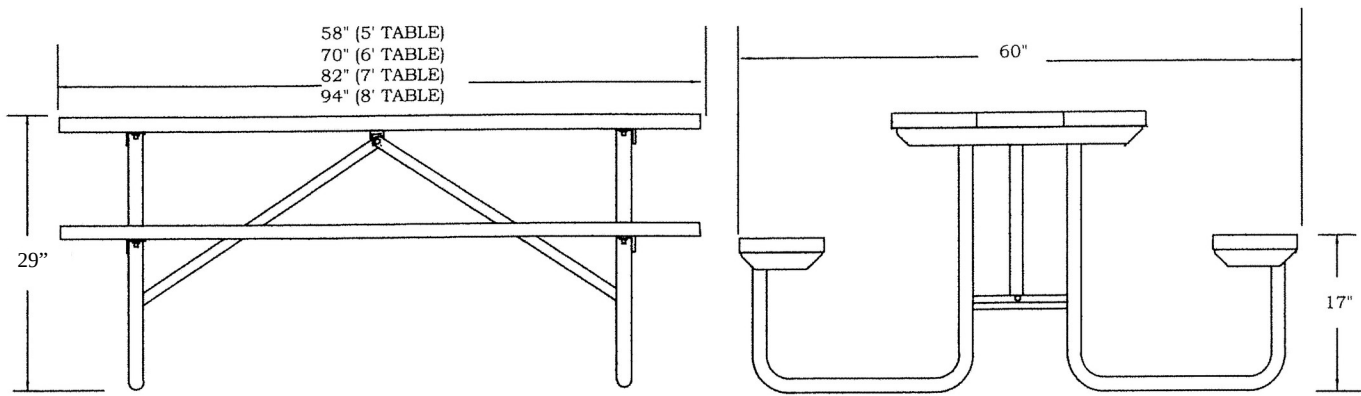


END SUPPORT FRAMES:
 1 1/2" OD 14 GAUGE STEEL TUBING
 SEAT AND TOP SUPPORTS:
 1 1/2" X 1 1/2" X 1/8" STEEL ANGLE
 LEG TIE SUPPORT:
 1" X 1" X 1/8" STEEL ANGLE
 DIAGONAL BRACE
 14 GAUGE X 1 1/4" O.D. STEEL TUBE
 CENTER CHANNEL:
 1" X 1/2" STEEL CHANNEL
 HARDWARE:
 GALVANIZED
 FRAME, CHANNEL, BRACE FINISH:
 PAINTED OR HOT DIPPED GALVANIZED

SCALE:	NONE
DATE DRAWN:	3-28-06
DRAWN BY:	CHG
DATE REVISED:	4-20-06
REVISED BY:	CHG

GERBER MFG., LTD. 
 2917 LATHAM DRIVE - MAIDSON, WI 53713
1-800-393-9923

PICNIC TABLE
 SPECIFICATIONS
14S SERIES
 5', 6' AND 8' LUMBER



END SUPPORT FRAMES:
1 1/2" OD 14 GAUGE STEEL TUBING

SEAT AND TOP SUPPORTS:
1 1/2" X 1 1/2" X 1/8" STEEL ANGLE

LEG TIE SUPPORT:
1" X 1" X 1/8" STEEL ANGLE


DIAGONAL BRACE
14 GAUGE X 1 1/4" O.D. STEEL TUBE

CENTER CHANNEL:
1" X 1/2" STEEL CHANNEL

HARDWARE:
GALVANIZED

FRAME, CHANNEL, BRACE FINISH:
PAINTED OR HOT DIPPED GALVANIZED

SCALE:	NONE
DATE DRAWN:	3-28-06
DRAWN BY:	CHG
DATE REVISED:	4-20-06
REVISED BY:	CHG

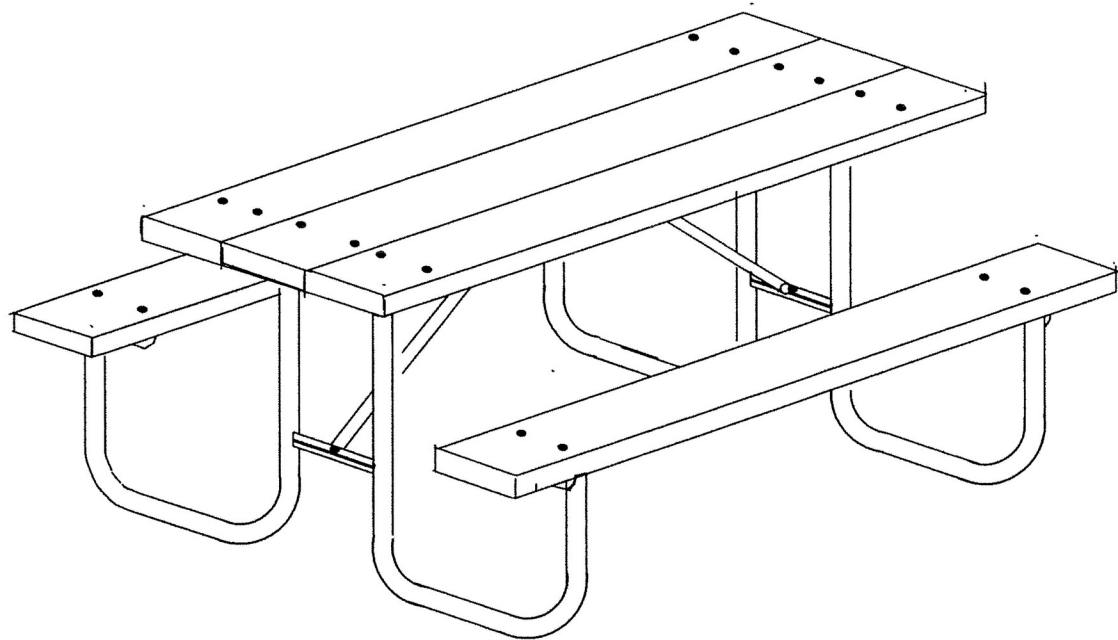
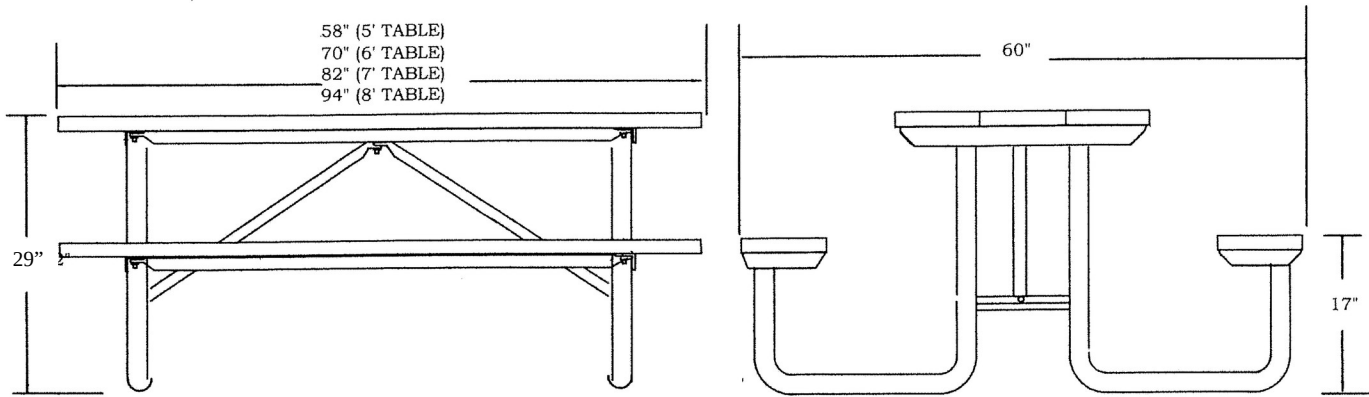
GERBER MFG., LTD. 

2917 LATHAM DRIVE - MAIDSON, WI 53713

1-800-393-9923


PICNIC TABLE
SPECIFICATIONS

16S SERIES
5', 6' AND 8' LUMBER



END SUPPORT FRAMES:
 1 1/2" OD 14 GAUGE STEEL TUBING
SEAT AND TOP SUPPORTS
 1 1/2" X 1 1/2" X 1/8" STEEL ANGLE
LEG TIE SUPPORT
 1" X 1" X 1/8" STEEL ANGLE
DIAGONAL BRACE
 14 GAUGE X 1 1/4" O.D. STEEL TUBE
SUPPORT TUBES
 14 GAUGE X 1 1/4" O.D. GALVANIZED STEEL TUBE ;
HARDWARE:
 STAINLESS STEEL
 FRAME, CHANNEL, BRACE FINISH
 PAINTED OR HOT DIPPED GALVANIZED
PLANKS: HIGH-DENSITY POLYETHYLENE MATERIAL
 DERIVED FROM POST CONSUMER BOTTLES.

SCALE:	NONE
DATE DRAWN:	9-24-08
DRAWN BY:	CHG
DATE REVISED:	
REVISED BY:	

GERBER MFG., LTD. 
 2917 LATHAM DRIVE - MAIDSON, WI 53713
1-800-393-9923

PICNIC TABLE SPECIFICATIONS
16S-PL SERIES
5, 6' 7' & 8' RECYCLED PLASTIC