

1. LAY TOP ASSEMBLY TOP DOWN , ON A FLAT CLEAN SURFACE.
2. CENTER AND ATTACH CENTER CHANNEL, USING 6 BOLT CLIP ASSEMBLIES.
3. ATTACH DIAGONAL BRACES TO CENTER USING 1-1" HEX HEAD CAP SCREW.
4. ATTACH END FRAMES TO DIAGONAL BRACES USING 1" HEX HEAD CAP SCREWS.
5. SQUARE END FRAMES AND ATTACH TO TOP USING BOLT CLIP ASSEMBLIES.
6. ATTACH SEAT PLANKS, USING 4 - BOLT CLIP ASSEMBLIES.
7. TIGHTEN ALL HARDWARE.

ITEM	QTY	PART NO.	DESCRIPTION
1	2		END SUPPORT FRAME
2	2		30" DIAGONAL BRACE (5' & 6')
3	1		23" CENTER CHANNEL
4	26		1 1/4" X 5/16" CARRIAGE BOLTS
5	29		5/16" SERRATED FLANGE NUTS
6	26		BOLT CLIPS
7	3		1" X 5/16" HEX HEAD CAP SCREWS
8	2		2 X 10 X 70" ALUMINUM SEAT PLANKS
9	1		2 X 28" X 70" ALUMINUM TOP PLANK
	2		39" DIAGONAL BRACE (7' & 8')

LENGTH OPTION

- 5' TABLE
- 6' TABLE
- 8' TABLE

STEEL OPTIONS

- PAINTED
- FRAME COLOR OPTIONS**
 - BROWN
 - GREEN

- HOT DIPPED GALVANIZED

TOP AND SEATS

- SILVER ANODIZED ALUMINUM

SCALE: NONE
 DATE DRAWN: 3-18-08
 DRAWN BY: CHG
 DATE REVISED: 4-8-09
 REVISED BY: CHG

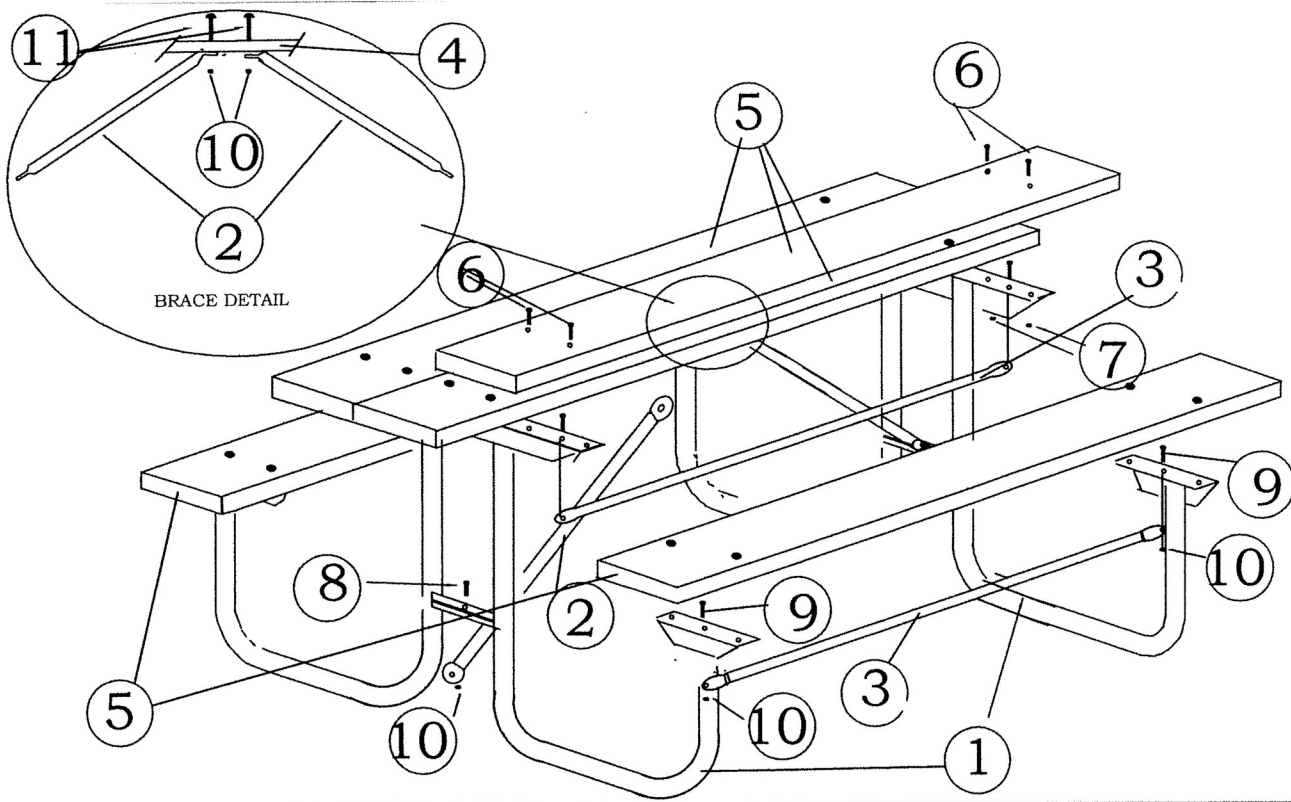
GERBER MFG., LTD.

2917 LATHAM DRIVE - MAIDSON, WI 53713

1-800-393-9923

PICNIC TABLE ASSEMBLY
ALUMINUM


158 SERIES
5', 6' AND 8' ALUMINUM

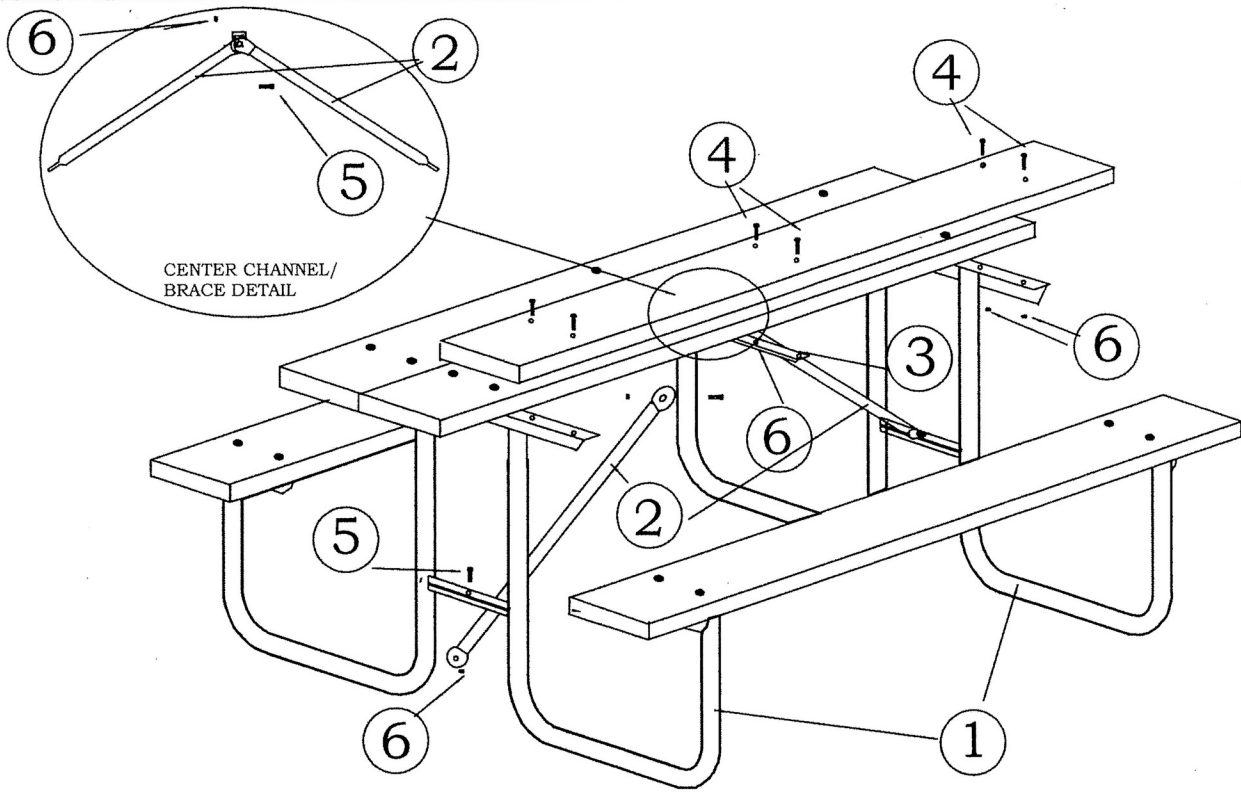


ASSEMBLY

1. SET END FRAMES IN UPRIGHT POSITION AND FASTEN 5-49" OR 71" SUPPORT TUBES TO FRAMES WITH 5/16" X 1" CARRIAGE BOLTS. CONNECT BRACES TO UNDERSIDE OF SEAT AND TOP ANGLE INTO THE CENTER HOLES. THE TUBE WITH THE INTERMEDIATE HOLES MUST GO IN THE MIDDLE OF THE TOP.
2. CONNECT BENT END OF THE 27" OR 39" BRACES TO THE CENTER OF THE MIDDLE TOP SUPPORT TUBE WITH 2" CARRIAGE BOLT.
3. CONNECT THE OTHER END OF THE DIAGONAL BRACES TO THE END FRAMES WITH 1" HEX HEAD CAP SCREWS.
4. SQUARE FRAMES AND TIGHTEN HARDWARE.
5. ATTACH TOP BOARDS TO FRAMES USING 2" CARRIAGE BOLTS. NOTE: TOP BOARDS ARE MARKED "L" FOR LEFT SIDE, "R" FOR RIGHT SIDE AND "C" FOR CENTER OF THE TOP. MARKED SIDE DOWN.
6. ATTACH SEAT BOARDS, MARKED "S" USING 2" CARRIAGE BOLTS.
7. TIGHTEN ALL HARDWARE.

ITEM	QTY		DESCRIPTION	LENGTH OPTION
1	2	5', 6', 7', 8'	END SUPPORT FRAME	<input type="checkbox"/> 5' TABLE
2	2	5', 6'	27" DIAGONAL BRACE (5' & 6')	<input type="checkbox"/> 6' TABLE
3	4	5', 6'	49" 1 1/4 X 16 GA SUPPORT BRACE	<input type="checkbox"/> 7' TABLE
4	1	5', 6'	49" 1 1/4 X 16 GA SUPPORT BRACE W/ 2 INTERMEDIATE HOLES	<input type="checkbox"/> 8' TABLE
5	5	6'	70" X 2" X 10" RECYCLED PLANK	STEEL OPTIONS <input type="checkbox"/> PAINTED FRAME COLOR OPTIONS <input type="checkbox"/> BROWN <input type="checkbox"/> GREEN <input type="checkbox"/> HOT DIPPED GALVANIZED PLASTIC COLOR OPTIONS <input type="checkbox"/> CEDAR <input type="checkbox"/> REDWOOD <input type="checkbox"/> GRAY <input type="checkbox"/> GREEN
6	20	5', 6', 7', 8'	2" X 5/16" SS CARRIAGE BOLTS	
7	20	5', 6', 7', 8'	5/16" SS SERRATED FLANGE NUTS	
8	2	5', 6', 7', 8'	1" X 5/16" HEX HEAD CAP SCREWS	
9	10	5', 6', 7', 8'	1" X 5/16" CARRIAGE BOLTS	
10	14	5', 6', 7', 8'	5/16" SERRATED FLANGE NUTS	
11	2	5', 6', 7', 8'	2" X 5/16" CARRIAGE BOLT	
2	2	7', 8'	39" DIAGONAL BRACE (7' & 8')	
3	4	7', 8'	71" 1 1/4 X 16 GA SUPPORT BRACE	
4	1	7', 8'	71" 1 1/4 X 16 GA SUPPORT BRACE W/CENTER HOLE	
5	5	8'	94" X 2" X 10" RECYCLED PLANK (FOR 8' TABLE)	
5	5	7'	82" X 2" X 10" RECYCLED PLANK (FOR 7' TABLE)	
5	5	5'	58" X 2" X 10" RECYCLED PLANK (FOR 5' TABLE)	

SCALE: NONE	GERBER MFG., LTD.  2917 LATHAM DRIVE - MAIDSON, WI 53713 1-800-393-9923	PICNIC TABLE ASSEMBLY
DATE DRAWN: 3-1-08		158 SERIES
DRAWN BY: CHG		5', 6', 7' & 8' RECYCLED PLASTIC
DATE REVISED: 9-24-08		
REVISED BY: CHG		



1. LAY 3 - PLANKS, GOOD SIDE DOWN, ON FLAT CLEAN SURFACE WITH 2" CARRIAGE BOLTS INSERTED. NOTE: PLANKS ARE MARKED: "R" RIGHT TOP, "C" CENTER TOP, "L" LEFT TOP, "S" SEAT BOARDS.
2. ATTACH END FRAMES, USING 12 - 2" BOLTS.
3. ATTACH CENTER CHANNEL, USING 6 - 2" BOLTS.
4. ATTACH DIAGONAL BRACES, USING 3 - 1" BOLTS.
5. ATTACH SEAT PLANKS, USING 4 - 2" BOLTS. THE "S" SHOULD BE ON THE SAME END AS "R" "C" "L".
6. TIGHTEN ALL HARDWARE.

- NOTE:
IF YOU HAVE PURCHASED THE LUMBER LOCALLY OR FROM US, NOT DRILLED, AND ARE USING CARRIAGE BOLTS PRE-DRILL AS FOLLOWS:
- A1. LAY 3 - PLANKS, GOOD SIDE DOWN SPACED 1/4" APART ON A FLAT CLEAN SURFACE.
 - A2. PRE ASSEMBLE THE FRAME, BRACES AND CENTER CHANNEL. SET UPSIDE DOWN ON THE LUMBER, SQUARE AND CENTER, AND MARK 2 HOLES IN EACH END OF THE BOARDS. ALSO MARK 2 HOLES IN EACH BOARD FOR THE CHANNEL.
 3. MARK AND DRILL FOR SEAT BOARDS.
 4. ASSEMBLE TABLE PER ABOVE INSTRUCTIONS.

ITEM	QTY	PART NO.	DESCRIPTION
1	2	200133	END SUPPORT FRAME
2	2	200195	30" DIAGONAL BRACE (5' & 6')
3	1	200152	23" CENTER CHANNEL
4	26	200237	2" X 5/16" CARRIAGE BOLTS
5	3	200231	1" X 5/16" HEX HEAD CAP SCREWS
6	29	200230	5/16" SERRATED FLANGE NUTS
	2	200201	39" DIAGONAL BRACE (7' & 8')

LENGTH OPTION	COLOR OPTIONS
<input type="checkbox"/> 5' TABLE	<input type="checkbox"/> BROWN
<input type="checkbox"/> 6' TABLE	<input type="checkbox"/> GREEN
<input type="checkbox"/> 8' TABLE	
	HARDWARE
	<input type="checkbox"/> CARRIAGE BOLTS
	<input type="checkbox"/> GALVANIZED
	<input type="checkbox"/> STAINLESS STEEL
STEEL OPTIONS	
<input type="checkbox"/> PAINTED	
<input type="checkbox"/> HOT DIPPED GALVANIZED	
WOOD OPTIONS	
<input type="checkbox"/> #1 SOUTHERN PINE	
<input type="checkbox"/> #1 ACQ TREATED SOUTHERN PINE	

SCALE:	NONE
DATE DRAWN:	11-08-05
DRAWN BY:	CHG
DATE REVISED:	4-21-06
REVISED BY:	CHG

GERBER MFG., LTD.

2917 LATHAM DRIVE - MAIDSON, WI 53713

1-800-393-9923

PICNIC TABLE ASSEMBLY
158 SERIES FRAME FOR 5', 6' AND 8' LUMBER