

1. LAY 3 - 2 X 10 BOARDS, GOOD SIDE DOWN, ON A FLAT CLEAN SURFACE.
2. SQUARE BOARDS AND SPACE ABOUT 1/4" APART.
3. CENTER, CENTER CHANNEL AND ATTACH WITH 10 - 1 1/4" LAG SCREWS.
4. ATTACH DIAGONAL BRACES, USING 1 - 1" BOLT.
5. ATTACH END FRAMES TO DIAGONAL BRACES USING 2 - 1" BOLTS.
6. SQUARE AND CENTER END FRAMES AND ATTACH FRAMES TO BOARDS, USING 24 - 1 1/4" LAG SCREWS.
7. CENTER AND ATTACH 2 X 10 SEAT BOARDS TO FRAMES USING 12 - 1 1/4" LAG SCREWS.

NOTE: LAG SCREWS ARE SELF TAPING AND REQUIRE NO PRE-DRILLING OF LUMBER.

ITEM	QTY	PART NO.	DESCRIPTION
1	2	200113	END SUPPORT FRAME
2	2	200195	30" DIAGONAL BRACE (5' & 6')
3	1	200152	23" CENTER CHANNEL
4	46	200239	1 1/4" X X 1/4" LAG SCREWS
5	3	200231	1" X 5/16" HEX HEAD CAP SCREWS
6	3	200230	5/16" SERRATED FLANGE NUTS
7	5	200335	2 X 10 X 70" #1 SOUTHERN PINE
	2	200201	39" DIAGONAL BRACE (7' & 8')

LENGTH OPTION

- 5' TABLE
- 6' TABLE
- 8' TABLE

COLOR OPTIONS

- BROWN
- GREEN

HARDWARE

- LAG SCREWS

STEEL OPTIONS

- PAINTED
- HOT DIPPED GALVANIZED

WOOD OPTIONS

- #1 SOUTHERN PINE
- #1 ACQ TREATED SOUTHERN PINE

SCALE:	NONE
DATE DRAWN:	4-19-06
DRAWN BY:	CHG
DATE REVISED:	4-20-06
REVISED BY:	CHG

GERBER MFG., LTD.

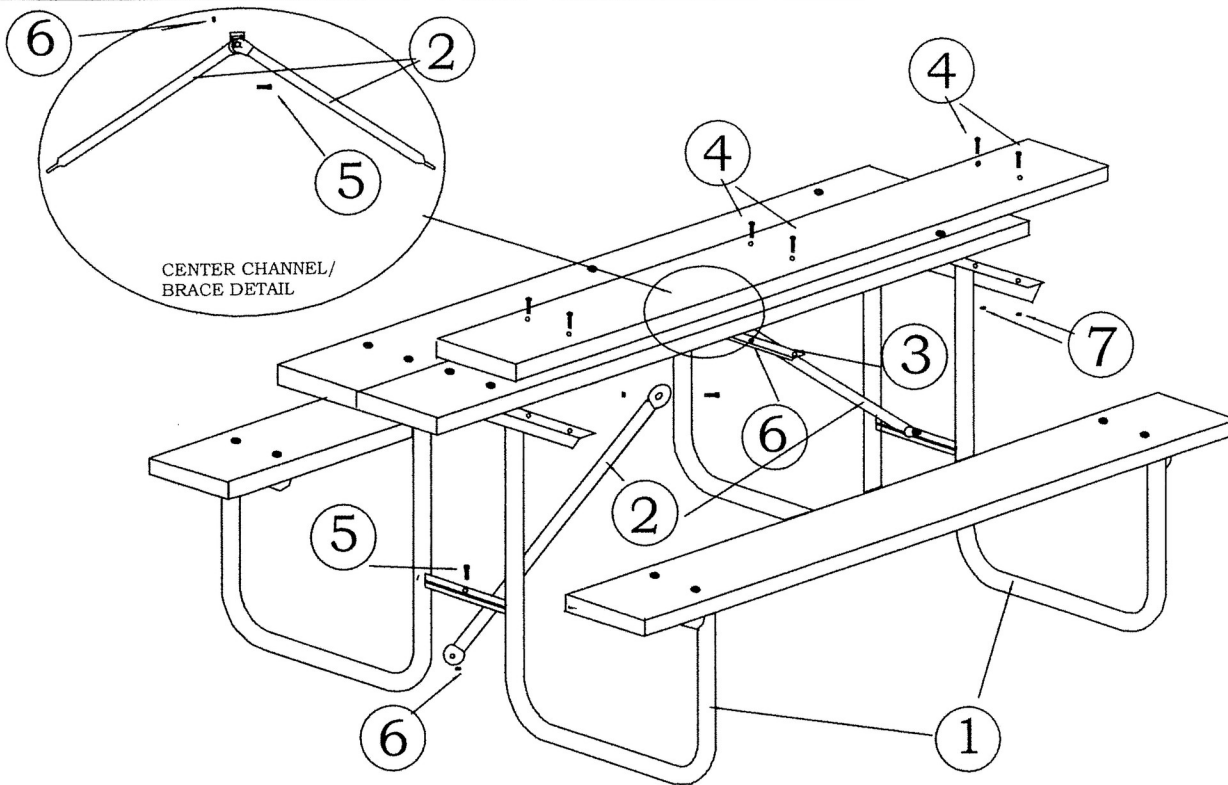
2917 LATHAM DRIVE - MAIDSON, WI 53713

1-800-393-9923

PICNIC TABLE ASSEMBLY
LAG SCREWS

1400S SERIES

5', 6' AND 8' LUMBER



1. LAY 3 - PLANKS, GOOD SIDE DOWN, ON FLAT CLEAN SURFACE WTH 2" CARRIAGE BOLTS INSERTED. NOTE: PLANKS ARE MARKED: "R" RIGHT TOP, "C" CENTER TOP, "L" LEFT TOP, "S" SEAT BOARDS.
2. ATTACH END FRAMES, USING 12 - 2" BOLTS.
3. ATTACH CENTER CHANNEL, USING 6 - 2" BOLTS.
4. ATTACH DIAGONAL BRACES, USING 3 - 1" BOLTS.
5. ATTACH SEAT PLANKS, USING 4 - 2" BOLTS. THE "S" SHOULD BE ON THE SAME END AS "R" "C" "L".
6. TIGHTEN ALL HARDWARE.

NOTE:

IF YOU HAVE PURCHASED THE LUMBER LOCALLY OR FROM US, NOT DRILLED, AND ARE USING CARRIAGE BOLTS PRE-DRILL AS FOLLOWS:

- A1. LAY 3 - PLANKS, GOOD SIDE DOWN SPACED 1/4" APART ON A FLAT CLEAN SURFACE.
- A2. PRE ASSEMBLE THE FRAME, BRACES AND CENTER CHANNEL. SET UPSIDE DOWN ON THE LUMBER, SQUARE AND CENTER, AND MARK 2 HOLES IN EACH END OF THE BOARDS. ALSO MARK 2 HOLES IN EACH BOARD FOR THE CHANNEL.
3. MARK AND DRILL FOR SEAT BOARDS.
4. ASSEMBLE TABLE PER ABOVE INSTRUCTIONS.

ITEM	QTY	PART NO.	DESCRIPTION
1	2	200100	END SUPPORT FRAME
2	2	200195	30" DIAGONAL BRACE (5' & 6')
3	1	200152	23" CENTER CHANNEL
4	26	200226	2" X 1/4" CARRIAGE BOLTS
5	3	200231	1" X 5/16" HEX HEAD CAP SCREWS
6	26	200230	5/16" SERRATED FLANGE NUTS
7	3	200238	1/4" SERRATED FLANGE NUTS
8	5	200335	2 X 10 X 70" #1 SOUTHERN PINE
	2	200201	39" DIAGONAL BRACE (7' & 8')

LENGTH OPTION

- 5' TABLE
 6' TABLE
 8' TABLE

COLOR OPTIONS

- BROWN
 GREEN

HARDWARE

- CARRIAGE BOLTS

STEEL OPTIONS

- PAINTED
 HOT DIPPED GALVANIZED

WOOD OPTIONS

- #1 SOUTHERN PINE
 #1 ACQ TREATED SOUTHERN PINE

SCALE:	NONE
DATE DRAWN:	3-28-06
DRAWN BY:	CHG
DATE REVISED:	4-20-06
REVISED BY:	CHG

GERBER MFG., LTD.

2917 LATHAM DRIVE - MAIDSON, WI 53713

1-800-393-9923

**PICNIC TABLE ASSEMBLY
CARRIAGE BOLTS**

14 MS SERIES
5', 6' AND 8' LUMBER